

Makita

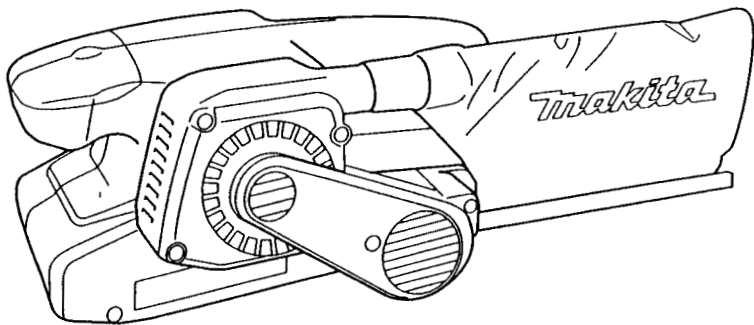
アメリカ

Belt Sander

76 mm (3'') MODEL 9910

76 mm (3'') MODEL 9911

INSTRUCTION MANUAL



DOUBLE
INSULATION

SPECIFICATIONS

Model	Belt size	Belt speed	Overall length	Net weight
9910	76 mm x 457 mm (3'' x 18'')	270 m/min. (900 ft./min.)	262 mm (10-3/8'')	2.6 kg (5.8 lbs)
9911		75 m - 270 m/min. (250 ft. - 900 ft./min.)		

- Manufacturer reserves the right to change specifications without notice.
 - Note: Specifications may differ from country to country.
- WARNING:** For your personal safety, READ and UNDERSTAND before using.
SAVE THESE INSTRUCTIONS FOR FUTURE REFERENCE.

GENERAL SAFETY RULES

(For All Tools)

WARNING! Read and understand all instructions. Failure to follow all instructions listed below, may result in electric shock, fire and/or serious personal injury.

SAVE THESE INSTRUCTIONS

READ ALL INSTRUCTIONS.

WORK AREA

1. Keep your work area clean and well lit. Cluttered benches and dark areas invite accidents.
2. Do not operate power tools in explosive atmospheres, such as in the presence of flammable liquids, gases, or dust. Power tools create sparks which may ignite the dust or fumes.
3. Keep bystanders, children, and visitors away while operating a power tool. Distractions can cause you to lose control.

ELECTRICAL SAFETY

4. Double Insulated tools are equipped with a polarized plug (one blade is wider than the other.) This plug will fit in a polarized outlet only one way. If the plug does not fit fully in the outlet, reverse the plug. If it still does not fit, contact a qualified electrician to install a polarized outlet. Do not change the plug in any way. Double insulation eliminates the need for the three wire grounded power cord and grounded power supply system.
5. Avoid body contact with grounded surfaces such as pipes, radiators, ranges and refrigerators. There is an increased risk of electric shock if your body is grounded.
6. Don't expose power tools to rain or wet conditions. Water entering a power tool will increase the risk of electric shock.
7. Do not abuse the cord. Never use the cord to carry the tools or pull the plug from an outlet. Keep cord away from heat, oil, sharp edges or moving parts. Replace damaged cords immediately. Damaged cords increase the risk of electric shock.
8. When operating a power tool outside, use an outdoor extension cord marked "W-A" or "W." These cords are rated for outdoor use and reduce the risk of electric shock.

PERSONAL SAFETY

9. Stay alert, watch what you are doing and use common sense when operating a power tool. Do not use tool while tired or under the influence of drugs, alcohol, or medication. A moment of inattention while operating power tools may result in serious personal injury.
10. Dress properly. Do not wear loose clothing or jewelry. Contain long hair. Keep your hair, clothing, and gloves away from moving parts. Loose clothes, jewelry or long hair can be caught in moving parts.

11. **Avoid accidental starting. Be sure switch is off before plugging in.** Carrying tools with your finger on the switch or plugging in tools that have the switch on invites accidents.
12. **Remove adjusting keys or switches before turning the tool on.** A wrench or a key that is left attached to a rotating part of the tool may result in personal injury.
13. **Do not overreach. Keep proper footing and balance at all times.** Proper footing and balance enables better control of the tool in unexpected situations.
14. **Use safety equipment. Always wear eye protection.** Dust mask, non-skid safety shoes, hard hat, or hearing protection must be used for appropriate conditions.

TOOL USE AND CARE

15. **Use clamps or other practical way to secure and support the workpiece to a stable platform.** Holding the work by hand or against your body is unstable and may lead to loss of control.
16. **Do not force tool. Use the correct tool for your application.** The correct tool will do the job better and safer at the rate for which it is designed.
17. **Do not use tool if switch does not turn it on or off.** Any tool that cannot be controlled with the switch is dangerous and must be repaired.
18. **Disconnect the plug from the power source before making any adjustments, changing accessories, or storing the tool.** Such preventive safety measures reduce the risk of starting the tool accidentally.
19. **Store idle tools out of reach of children and other untrained persons.** Tools are dangerous in the hands of untrained users.
20. **Maintain tools with care. Keep cutting tools sharp and clean.** Properly maintained tools, with sharp cutting edges are less likely to bind and are easier to control.
21. **Check for misalignment or binding of moving parts, breakage of parts, and any other condition that may affect the tools operation. If damaged, have the tool serviced before using.** Many accidents are caused by poorly maintained tools.
22. **Use only accessories that are recommended by the manufacturer for your model.** Accessories that may be suitable for one tool, may become hazardous when used on another tool.

SERVICE

23. **Tool service must be performed only by qualified repair personnel.** Service or maintenance performed by unqualified personnel could result in a risk of injury.
24. **When servicing a tool, use only identical replacement parts. Follow instructions in the Maintenance section of this manual.** Use of unauthorized parts or failure to follow Maintenance Instructions may create a risk of electric shock or injury.







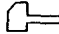
Specific Safety Rules

1. Hold tools by insulated gripping surfaces when performing an operation where the cutting tool may contact hidden wiring or its own cord. Contact with a "live" wire will make exposed metal parts of the tool "live" and shock the operator.
2. Hold the tool firmly with both hands.
3. Make sure the belt is not contacting the workpiece before the switch is turned on.
4. Keep hands away from rotating parts.
5. Do not leave the tool running. Operate the tool only when hand-held.
6. This tool has not been waterproofed, so do not use water on the workpiece surface.

SAVE THESE INSTRUCTIONS.

SYMBOLS

The followings show the symbols used for tool.

V	volts
A	amperes
Hz	hertz
kg	kilograms
h	hours
min	minutes
s	seconds
	alternating current
	direct current
n_0	no load speed
	alternating or direct current
	Class II Construction
	splash-proof construction
	watertight construction
.../min	revolutions or reciprocation per minute
	number of blow

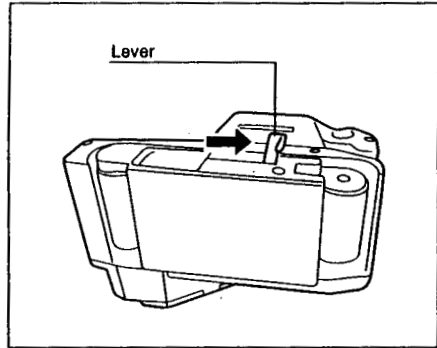
ASSEMBLY

Installing or removing abrasive belt

CAUTION:

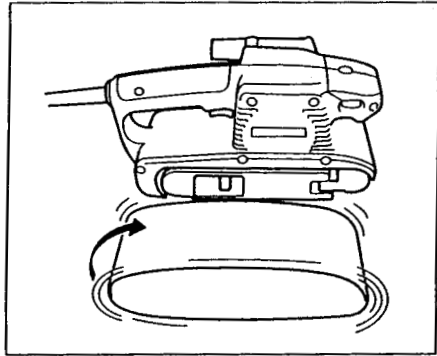
Always be sure that the tool is switched off and unplugged before installing or removing the belt.

Pull the lever all the way out and install the belt over the rollers, then return the lever to the original position.



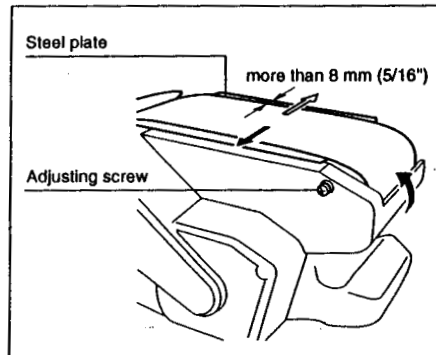
CAUTION:

When installing the belt, make sure that the direction of the arrow on the back of the belt corresponds to the one on the tool itself.



Adjusting belt tracking

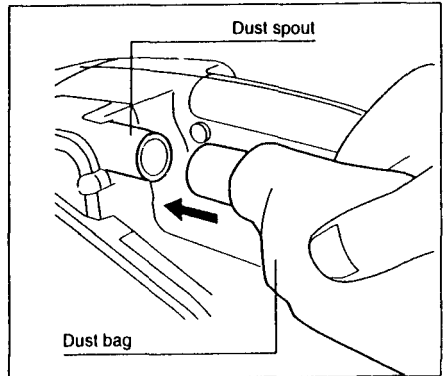
Switch on the tool and make sure that the belt is aligned properly. If the edge of the belt extends beyond the edge of the steel plate or the edge of the belt retracts more than 8 mm (5/16") away from the edge of the steel plate, use the adjusting screw to adjust the belt tracking.



Dust bag

Attach the dust bag onto the dust spout. The dust spout is tapered. When attaching the dust bag, push it onto the dust spout firmly as far as it will go to prevent it from coming off during operation.

For the best results, empty the dust bag when it becomes about half full, tapping it lightly to remove as much dust as possible.



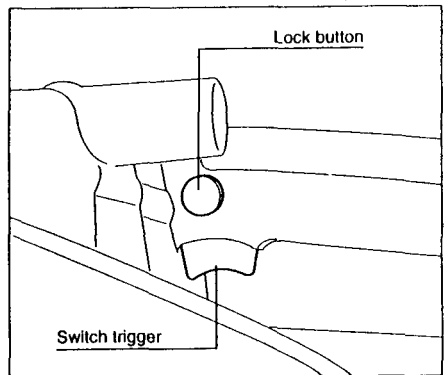
OPERATION

Switch action

CAUTION:

- Before plugging in the tool, always check to see that the switch trigger actuates properly and returns to the "OFF" position when released.
- The tool should not be in contact with the workpiece surface when you turn the tool on or off. Otherwise a poor sanding finish or damage of the belt may result.

To start the tool, simply pull the trigger. Release the trigger to stop. For continuous operation, pull the trigger and then push in the lock button. To stop the tool from the locked position, pull the trigger fully, then release it.



Sanding operation

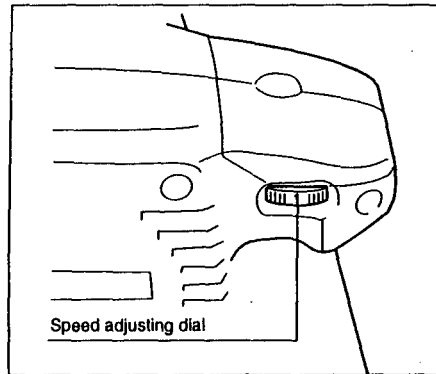
Hold the tool firmly with both hands. Turn the tool on and wait until it attains full speed. Then gently place the tool on the workpiece surface. Keep the belt flush with the workpiece at all times and move the tool back and forth. Never force the tool. The weight of the tool applies adequate pressure. Excessive pressure may cause stalling, overheating of the motor, burning of the workpiece and possible kickback.

Speed adjusting dial

For 9911 only

The belt speed can be infinitely adjusted between 75 m and 270 m per minute by turning the speed adjusting dial to a given number setting from 1 to 6. Higher speed is obtained when the dial is turned in the direction of number 6; lower speed is obtained when it is turned in the direction of number 1.

Select the proper speed for the workpiece to be sanded.



CAUTION:

The speed adjusting dial can be turned only as far as 6 and back to 1. Do not force it past 6 or 1, or the speed adjusting function may not longer work.

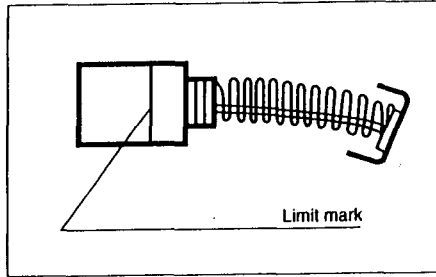
MAINTENANCE

CAUTION:

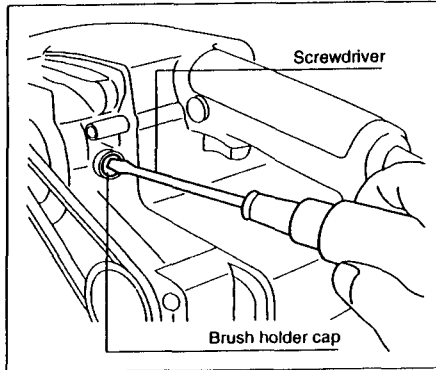
Always be sure that the tool is switched off and unplugged before attempting to perform inspection or maintenance.

Replacing carbon brushes

Remove and check the carbon brushes regularly. Replace when they wear down to the limit mark. Keep the carbon brushes clean and free to slip in the holders. Both carbon brushes should be replaced at the same time. Use only identical carbon brushes.



First, remove the belt cover from the tool. Use a screwdriver to remove the brush holder caps. Take out the worn carbon brushes, insert the new ones and secure the brush holder caps.



To maintain product SAFETY and RELIABILITY, repairs, any other maintenance or adjustment should be performed by Makita Authorized or Factory Service Centers, always using Makita replacement parts.

ACCESSORIES

CAUTION:

These accessories or attachments are recommended for use with your Makita tool specified in this manual. The use of any other accessories or attachments might present a risk of injury to persons. The accessories or attachments should be used only in the proper and intended manner.

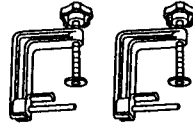
• Abrasive belts

*Belt type and use

AA – For wood, iron and steel.

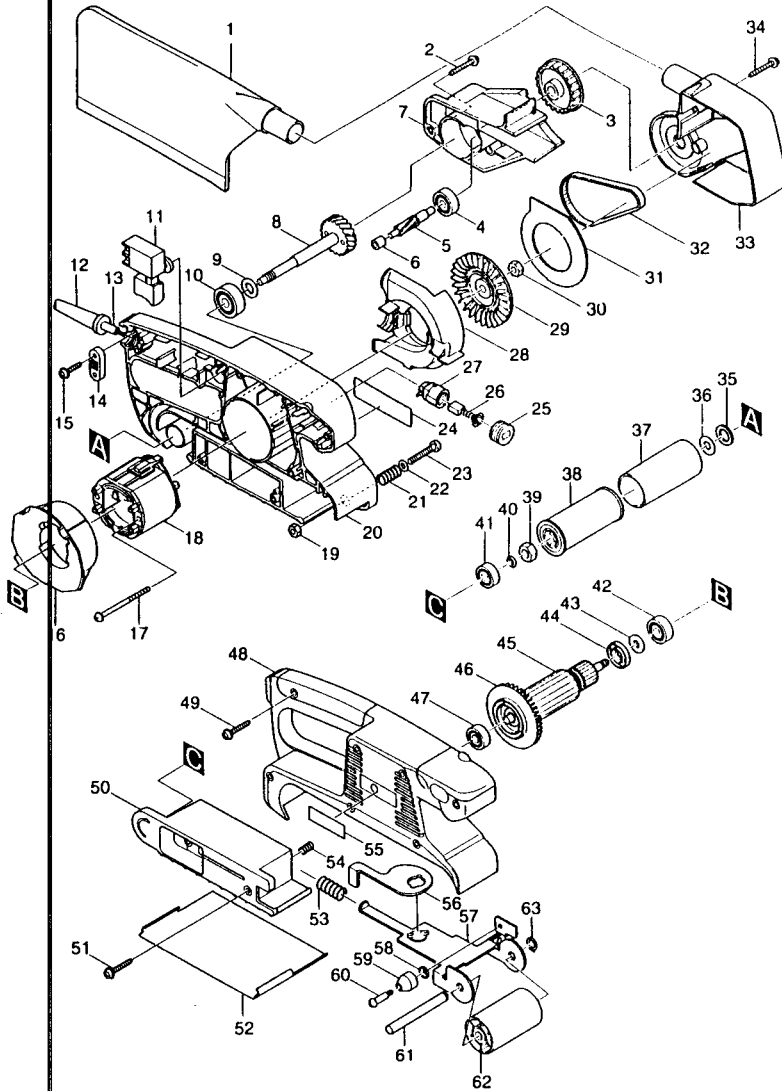


• Clamp (2 pcs.)



Grit	Use	Sheets per pack
AA40	Coarse	10
AA60		
AA80	Medium	
AA100		
AA150	Fine	
AA180		
AA240		

76 mm (3") BELT SANDER Model 9910

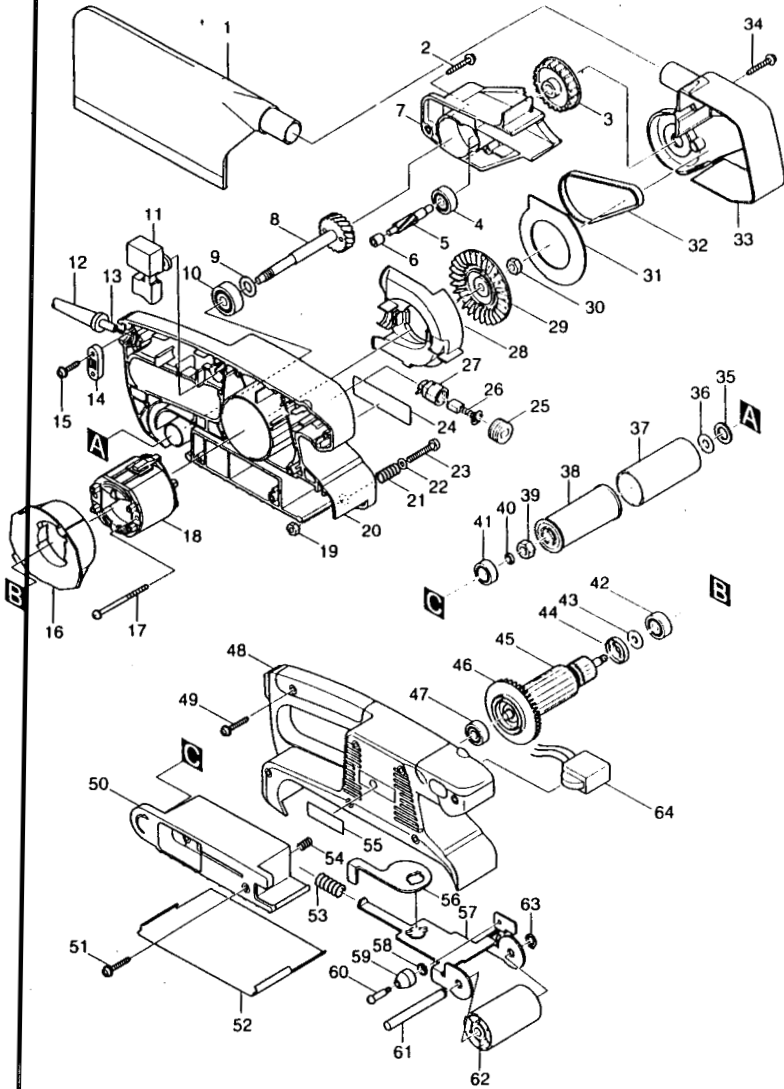


Note: The switch and other part configurations may differ from country to country.

ITEM NO.	NO. USED	DESCRIPTION	ITEM NO.	NO. USED	DESCRIPTION
MACHINE			MACHINE		
1	1	DUST BAG ASSEMBLY	33	1	Belt Cover
2	4	Tapping Screw Flange 4x25	34	4	Tapping Screw Flange 4x25
3	1	Pulley 8.5 45.1	35	1	Flat Washer 12
4	1	Ball Bearing 608DDW	36	1	Flat Washer 8
5	1	Helical Gear 6	37	1	Rubber Sleeve 29
6	1	Needle Bearing 509	38	1	Driving Roller
7	1	Bracket	39	1	Hex. Nut M8-13
8	1	Helical Gear 31 Complete	40	1	Flat Washer 6
9	1	Flat Washer 10	41	1	Ball Bearing 626DDW
10	1	Ball Bearing 6000DDW	42	1	Ball Bearing 627DDW
11	1	Switch	43	1	Flat Washer 7
12	1	Cord Guard	44	1	Insulation Washer
13	1	Cord	45	1	ARMATURE ASSEMBLY
14	1	Strain Relief			(With Item 42 - 44, 46 & 47)
15	2	Tapping Screw 4x18	46	1	Fan 60
16	1	Baffle Plate	47	1	Ball Bearing 607LLB
17	2	Tapping Screw Flange PT 4x60	48	1	Housing Set (With Item 19, 20 & 55)
18	1	Field	49	7	Tapping Screw Flange 4x25
19	1	Hex. Nut M5	50	1	Shoe
20	1	Housing Set (With Item 19, 48 & 55)	51	2	Tapping Screw Flange 4x25
21	1	Compression Spring 6	52	1	Steel Plate
22	1	Flat Washer 5	53	1	Compression Spring 12
23	1	Pan Head Screw M5x30	54	1	Compression Spring 7
24	1	Name Plate	55	1	Makita Label
25	2	Brush Holder Cap	56	1	Lever
26	2	Carbon Brush	57	1	Tension Roller Arm Complete
27	2	Brush Holder	58	1	Cup Washer
28	1	Scroll Plate	59	1	Roller
29	1	Fan 68	60	1	Shoulder Screw M4
30	1	Hex. Nut M6 - 10	61	1	Tension Roller Shaft
31	1	Plate	62	1	Tension Roller Complete
32	1	Syncho Bolt 6 300	63	1	Retaining Ring S-8

Note: The switch and other part specifications may differ from country to country.

76 mm (3") BELT SANDER Model 9911



Note: The switch and other part configurations may differ from country to country.

ITEM NO.	NO. USED	DESCRIPTION	ITEM NO.	NO. USED	DESCRIPTION
MACHINE			MACHINE		
1	1	DUST BAG ASSEMBLY	34	4	Tapping Screw Flange 4x25
2	4	Tapping Screw Flange 4x25	35	1	Flat Washer 12
3	1	Pulley 8.5 45.1	36	1	Flat Washer 8
4	1	Ball Bearing 608DDW	37	1	Rubber Sleeve 29
5	1	Helical Gear 6	38	1	Driving Roller
6	1	Needle Bearing 509	39	1	Hex. Nut M8-13
7	1	Bracket	40	1	Flat Washer 6
8	1	Helical Gear 31 Complete	41	1	Ball Bearing 826DDW
9	1	Flat Washer 10	42	1	Ball Bearing 827DDW
10	1	Ball Bearing 6000DDW	43	1	Flat Washer 7
11	1	Switch	44	1	Insulation Washer
12	1	Cord Guard	45	1	ARMATURE ASSEMBLY (With Item 42 - 44, 46 & 47)
13	1	Cord	46	1	Fan 60
14	1	Strain Relief	47	1	Ball Bearing 607LLB
15	2	Tapping Screw 4x18	48	1	Housing Set (With Item 19, 20 & 55)
16	1	Baffle Plate	49	7	Tapping Screw Flange 4x25
17	2	Tapping Screw Flange PT 4x60	50	1	Shoe
18	1	Field	51	2	Tapping Screw Flange 4x25
19	1	Hex. Nut M5	52	1	Steel Plate
20	1	Housing Set (With Item 19, 48 & 55)	53	1	Compression Spring 12
21	1	Compression Spring 6	54	1	Compression Spring 7
22	1	Flat Washer 5	55	1	Makita Label
23	1	Pan Head Screw M5x30	56	1	Lever
24	1	Name Plate	57	1	Tension Roller Arm Complete
25	2	Brush Holder Cup	58	1	Cup Washer
26	2	Carbon Brush	59	1	Roller
27	2	Brush Holder	60	1	Shoulder Screw M4
28	1	Scroll Plate	61	1	Tension Roller Shaft
29	1	Fan 68	62	1	Tension Roller Complete
30	1	Hex. Nut M6 10	63	1	Retaining Ring S-8
31	1	Plate	64	1	Controller
32	1	Synchro Bolt 6 300			
33	1	Belt Cover			

Note: The switch and other part specifications may differ from country to country.

MAKITA LIMITED ONE YEAR WARRANTY

Warranty Policy

Every Makita tool is thoroughly inspected and tested before leaving the factory. It is warranted to be free of defects from workmanship and materials for the period of ONE YEAR from the date of original purchase. Should any trouble develop during this one-year period, return the COMPLETE tool, freight prepaid, to one of Makita's Factory or Authorized Service Centers. If inspection shows the trouble is caused by defective workmanship or material, Makita will repair (or at our option, replace) without charge.

This Warranty does not apply where:

- repairs have been made or attempted by others;
- repairs are required because of normal wear and tear;
- The tool has been abused, misused or improperly maintained;
- alterations have been made to the tool.

IN NO EVENT SHALL MAKITA BE LIABLE FOR ANY INDIRECT, INCIDENTAL OR CONSEQUENTIAL DAMAGES FROM THE SALE OR USE OF THE PRODUCT. THIS DISCLAIMER APPLIES BOTH DURING AND AFTER THE TERM OF THIS WARRANTY.

MAKITA DISCLAIMS LIABILITY FOR ANY IMPLIED WARRANTIES, INCLUDING IMPLIED WARRANTIES OF "MERCHANTABILITY" AND "FITNESS FOR A SPECIFIC PURPOSE," AFTER THE ONE-YEAR TERM OF THIS WARRANTY.

This Warranty gives you specific legal rights, and you may also have other rights which vary from state to state. Some states do not allow the exclusion or limitation of incidental or consequential damages, so the above limitation or exclusion may not apply to you. Some states do not allow limitation on how long an implied warranty lasts, so the above limitation may not apply to you.

Makita Corporation

3-11-8, Sumiyoshi-cho,
Anjo, Aichi 446-8502 Japan